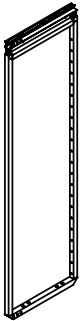
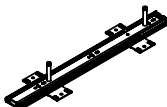
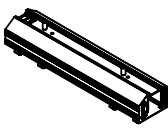


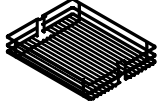




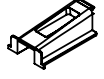
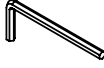




Assembly manual for PTJ012D、E、F、G、H、I、KPTJ012D、E

1. Accessories of product

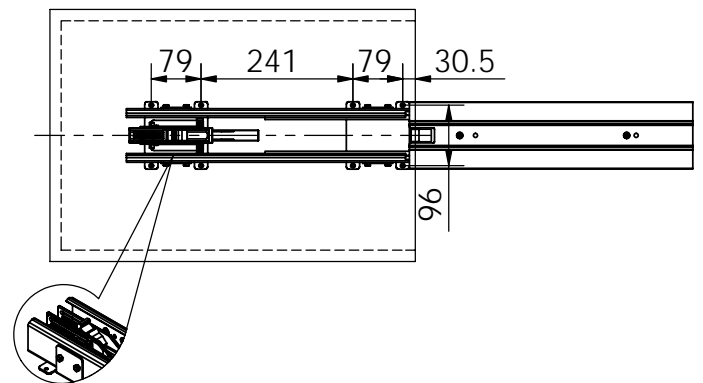
A. (1pcs) 	B. (1pcs) 	C. (1pcs) 	D. (2pcs) 	E. (2pcs) 	F. (n) 	G. (32pcs) 	H. (6pcs) 
	I. (2pcs) 	J. (2pcs) 	K. (m) 	L. (1pcs) 	M. (1pcs) 	N. (2pcs) 	

2. fix the outrail

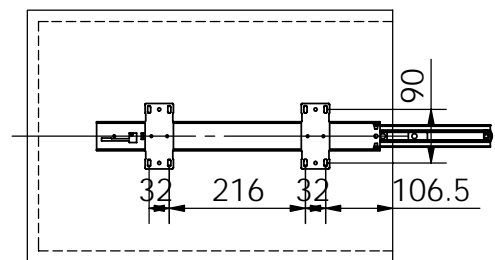
3. Fixing step

Item No	"d" the depth of inside cabinet	"w" the width of inside cabinet	"h" the height of inside cabinet	"b" the minimum inside the cabinet	(n)	(m)
KPTJ012D	480	400	1850~2200	365	6	12
KPTJ012D-300	480	300	1850~2200	265	6	12
KPTJ012D-450	480	450	1850~2200	415	6	12
KPTJ012D-500	480	500	1850~2200	465	6	12
PTJ012D	480	400	1700~2000	365	6	12
PTJ012F	480	400	1400~1700	365	6	12
PTJ012F-300	480	300	1400~1700	265	5	10
PTJ012F-500	480	500	1400~1700	465	5	10
PTJ012H	480	400	1150~1350	365	4	8
PTJ012H-500	480	500	1150~1350	465	4	8
PTJ012H-550	480	550	1150~1350	515	4	8
KPTJ012E	450	300	1850~2200	265	6	12
PTJ012E	450	300	1700~2000	265	6	12
PTJ012G	450	300	1400~1700	265	5	10
PTJ012I	450	300	1150~1350	265	4	8

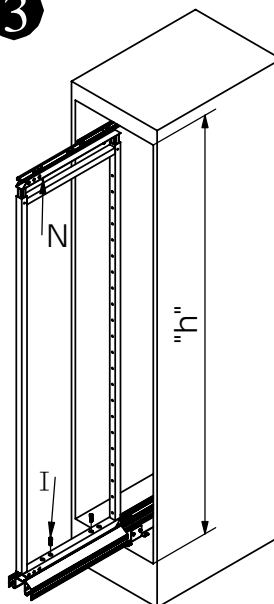
1



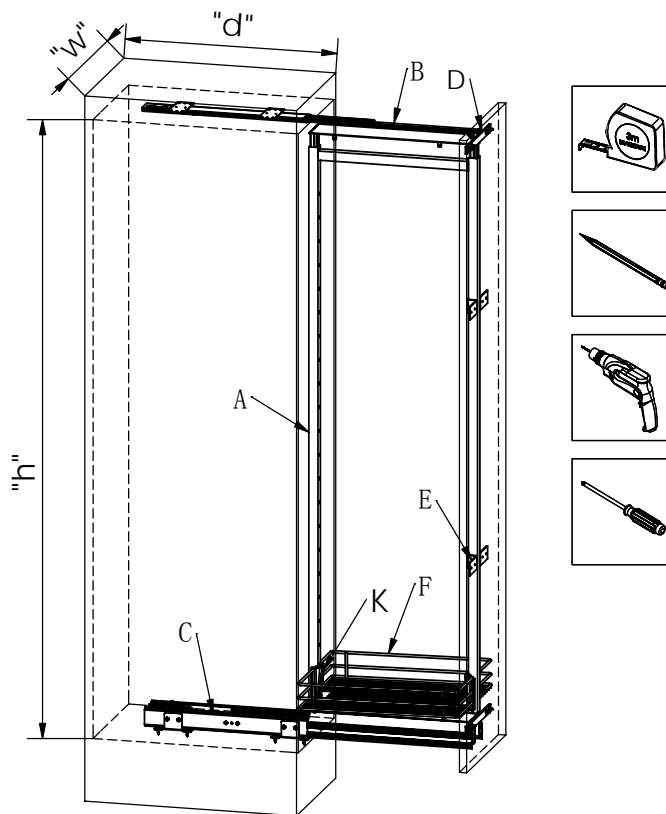
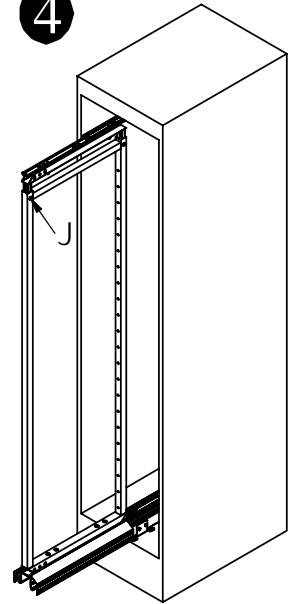
2



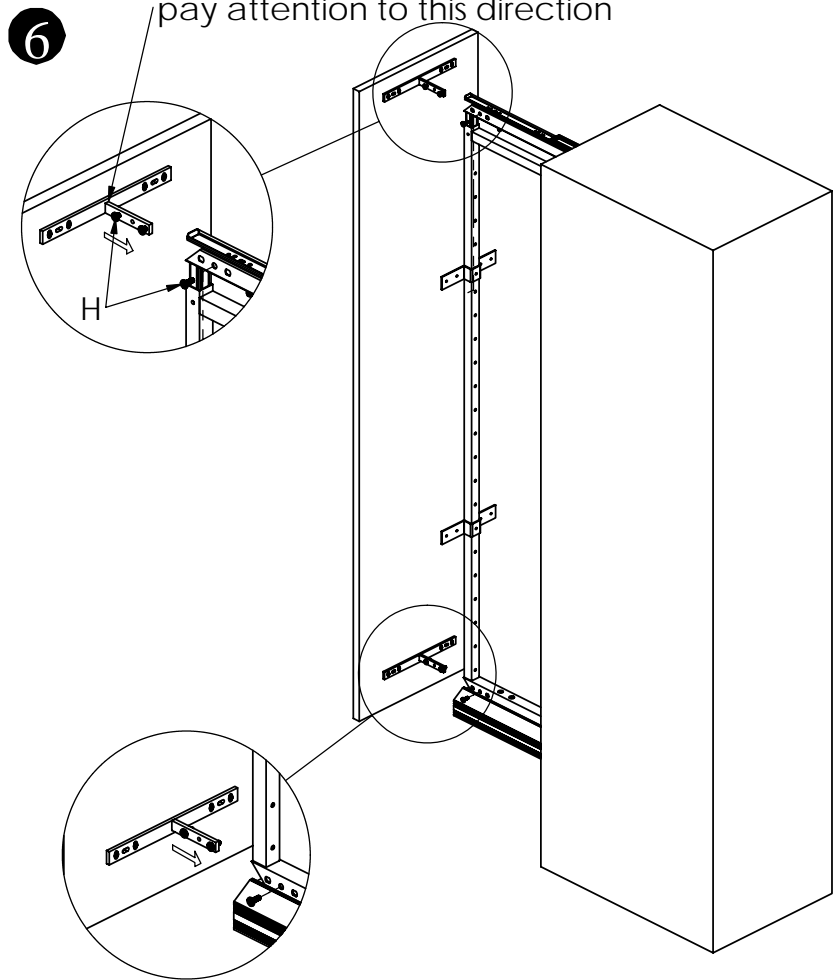
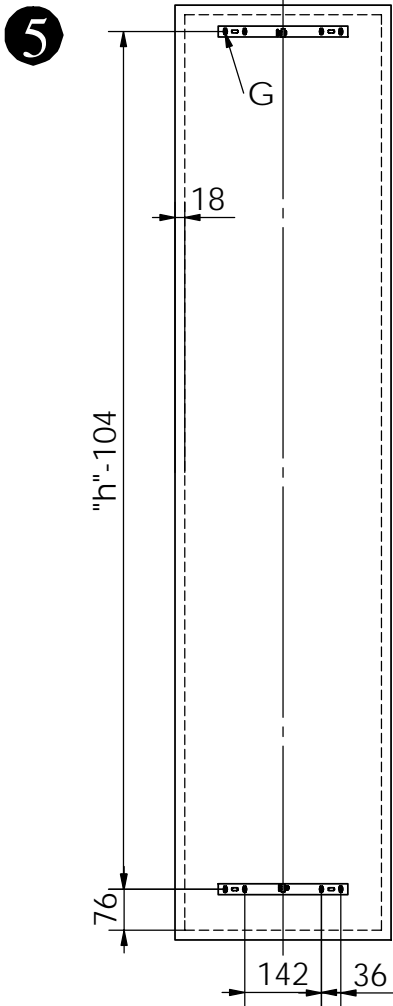
3



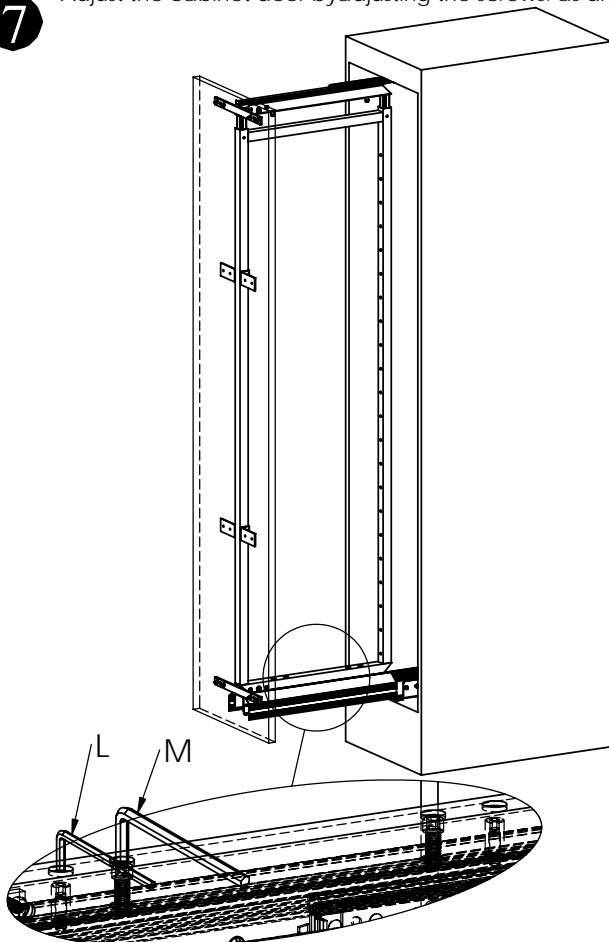
4



Assembly manual for PTJ012D、E、F、G、H、I、KPTJ012D、E



7 Adjust the cabinet door by adjusting the screws, as drawing



8

